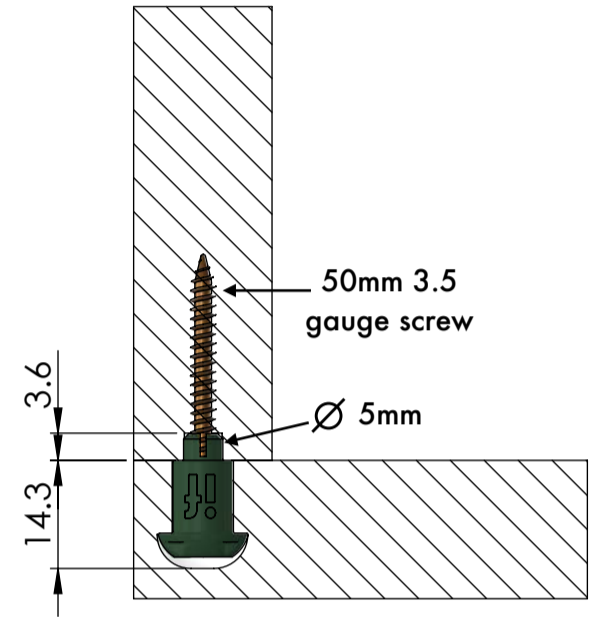
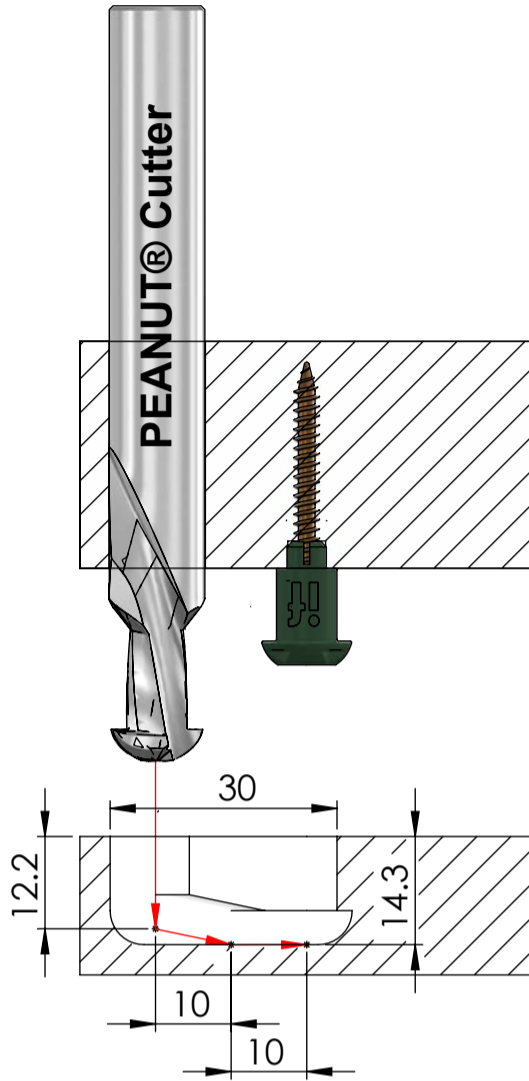
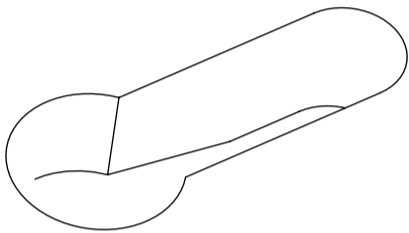
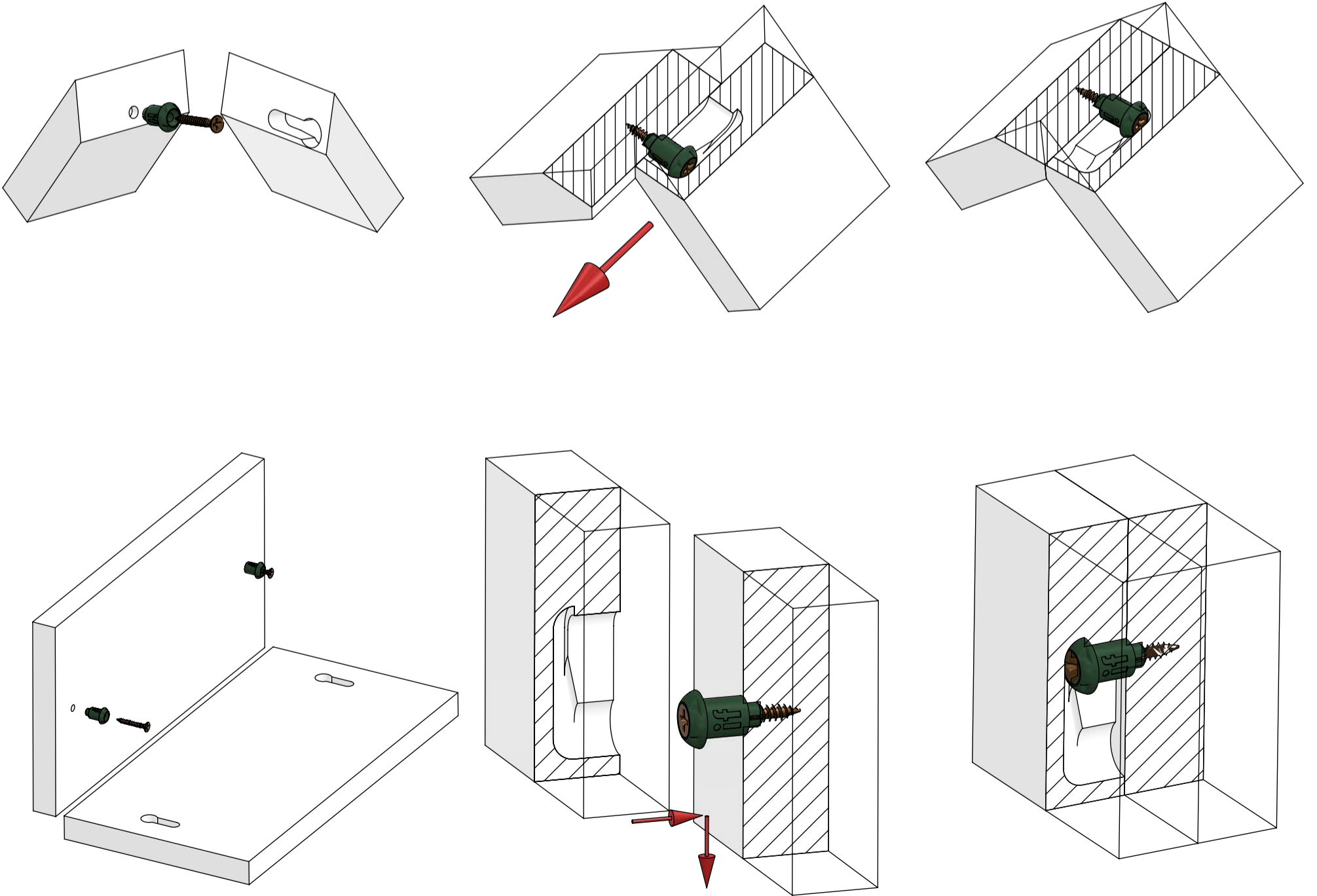


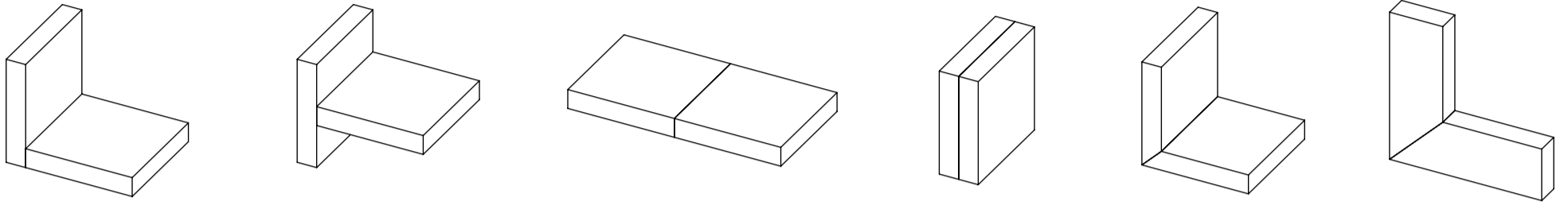
Machining



Assembly



Applications



Technical Specification

PEANUT® 2 SHORT Technical data

COMPONENT COMPOSITION	GLASS-FIBRE REINFORCED PLASTIC
MATERIAL THICKNESS	90° Joint: >15.3mm 45° Joint: >18mm
TOLERANCE (PEANUT CUTTER SLOT)	+0.3mm -0.4mm (DEPTH)

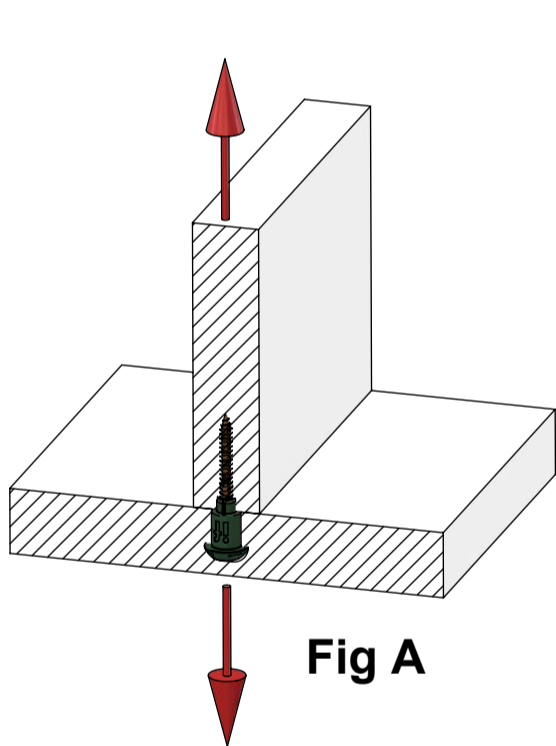


Fig A

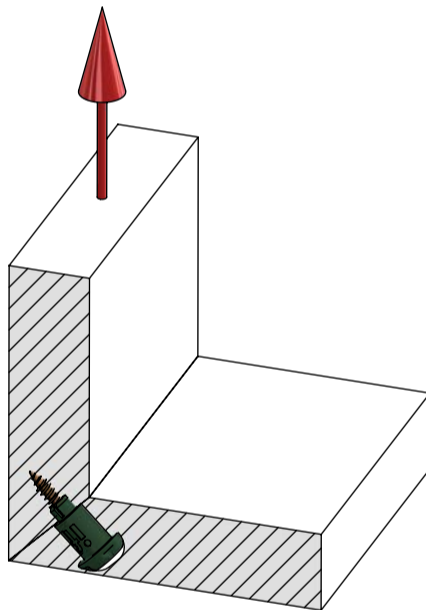


Fig B

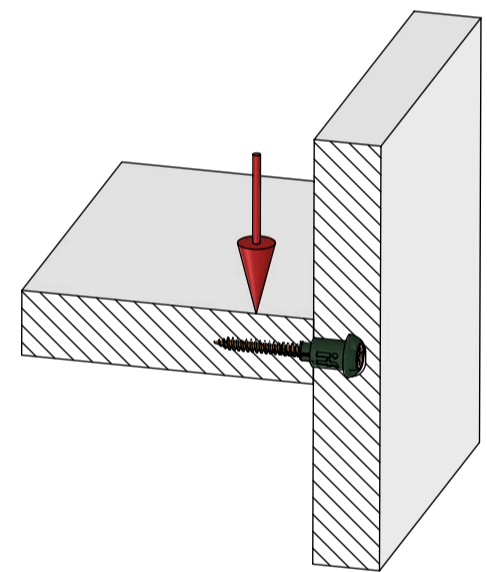


Fig C

Tested by: **CATAS**

Tested by: **if**

PEANUT® 2 SHORT Tensile/shear strength (based on one component) with 3.5mm counter sunk wood screw

MATERIAL	TENSILE 90° (Fig A)	TENSILE 45° (Fig B)	SHEAR STRENGTH (Fig C)
PARTICLE BOARD (18mm MFC)	860N / 86KG	460N / 46KG	670N / 67KG
MDF (18mm)	1010N / 101KG	650N / 65KG	930N / 93KG

PEANUT® 2 SHORT Tooling requirements

IF SOLID CARBIDE PEANUT CUTTER	MAX RPM 14000	CREATES 6500+ SLOTS (BASED ON MELAMINE FACED PARTICLE BOARD) THIS TOOL CANNOT BE SHARPENED
5mm SOLID CARBIDE DRILL		ANY 5mm DRILL WILL WORK (WE HAVE FOUND A SOLID CARBIDE DRILL GIVES BEST RESULTS)